



**Models 425, 435, 445, 470:**

**For rugged clamping applications**

These new high strength squeeze action clamps are ideal for rugged clamping applications. Clamp strength comes from the high strength steel that is used. The two-way trigger release, which is standard, allows for fast and easy opening of the clamp.



page **7.7**

## Product group – squeeze action plier clamps

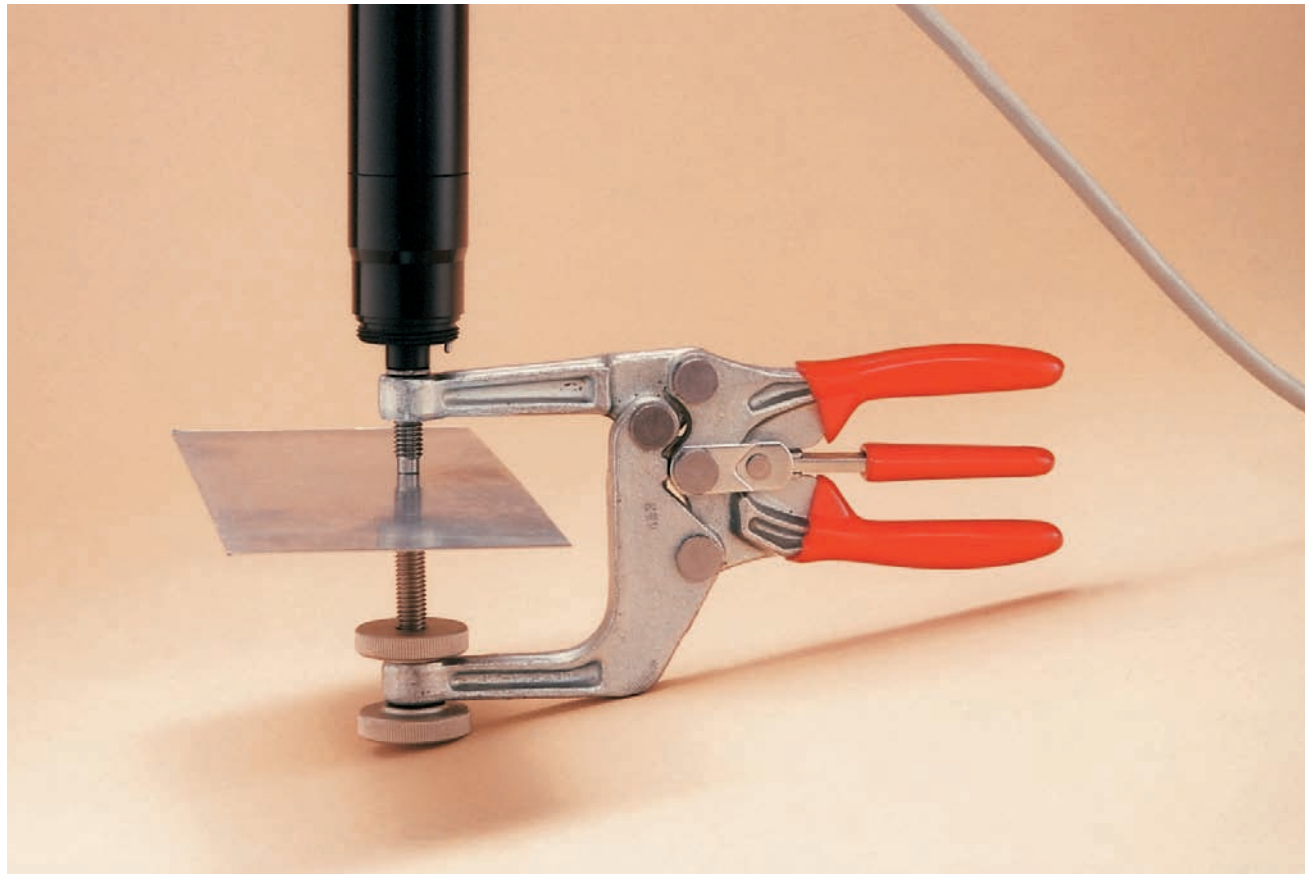
### Application areas





In all sectors of industry and manufacturing. Due to the wide range of models, DE-STA-CO plier clamps are used wherever permanent, stationary clamping of workpieces is not possible. DE-STA-CO plier clamps are used in all industries. Opening with the patented quick release lever makes it very easy to operate these plier clamps.

### The essential product features


- Made of drop-forged steel
- Zinc plated
- In some cases with patented quick release lever
- Oil-resistant, DE-STA-CO vinyl dipped handle grip

Model 453 modified for use in materials testing



	Model no.	Holding Capacity max. [lbs.]	Category	Page		Model no.	Holding Capacity max. [lbs.]	Category	Page
	325	800		7.4		424 441	200 350	Standard Standard	7.6
	345	800		7.5		424-2 441-2	200 350	Standard Standard	7.6

## Product group – squeeze action plier clamps

	Model no.	Holding Capacity max. [lbs.]	Category	Page		Model no.	Holding Capacity max. [lbs.]	Category	Page
	425	500	NEW! Quick Release	7.7		468	700		7.11
	431 431-2	100 100		7.7		470	2,000	NEW! Quick Release	7.11
	435	500	NEW! Quick Release	7.8		474	700		7.12
	443 443-2	500 500		7.8		480	1,200	Modular	7.12
	445	2,000	NEW! Quick Release	7.9		484	1,200	Quick Release	7.13
	462 482	700 1,200	Quick Release Quick Release	7.9		486	1,000	Quick Release	7.13
	462-2	700		7.10					
	463	700	Quick Release	7.10					

\*Depends on the clamping arm length

DE-STACO Subject to technical modifications without notice

## Squeeze action plier clamps


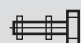
### Application areas

Designed with dual mounting flexibility. The models listed below can be permanently mounted or used as portable clamps. For example, these models are suitable for the locking of containers, flaps, etc.

### Product features

- Rivets made of stainless steel
- Clamp jaw is drop forged for added strength
- Oil-resistant, ergonomically shaped DE-STA-CO handle grip

## Model 325

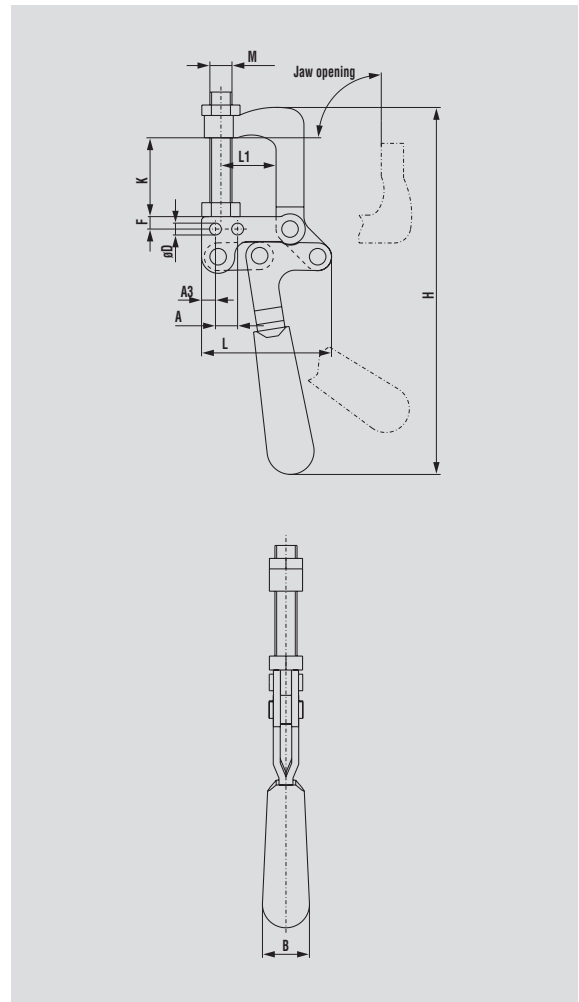
Model no.	Holding Capacity ↑ [lbs.]	Jaw Opens ∠ +10°	 [lbs.]	 Standard equipment
325	800	90°	1.18	220203-M

Versions in stainless steel on page 8.1



### Feature

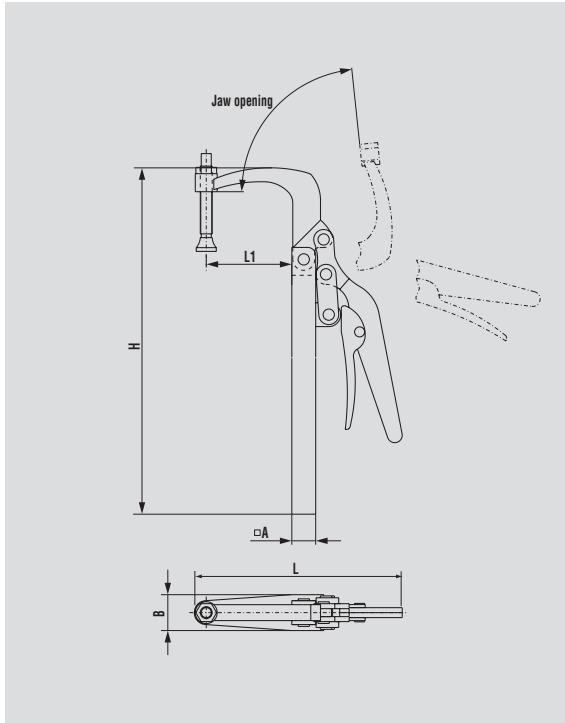
Using the existing mounting holes, this model can also be permanently mounted.



Model no.	A	A3	B	øD	F	H	K	L	L1	M								
325	0.50	0.31	1.06	0.27	0.28	8.11	1.78	2.94	1.25	M12								

### Application areas

Designed for welding or bolting to a fixture at any point along the mounting bar. Can also be used as a portable clamp.



Model no.	Holding Capacity ▲ [lbs.]	Jaw Opens ◁ +10°	⚖️ [lbs.]	🔩 Standard equipment
345	800	86°	2.52	468206-M

See additional adjustment spindles beginning on page 9.1.



**Model 345**

Model no.	A	B	H	L	L1	M									
345	0.75	0.69	10.88	6.56	2.69	M10									

## Product group – squeeze action plier clamps

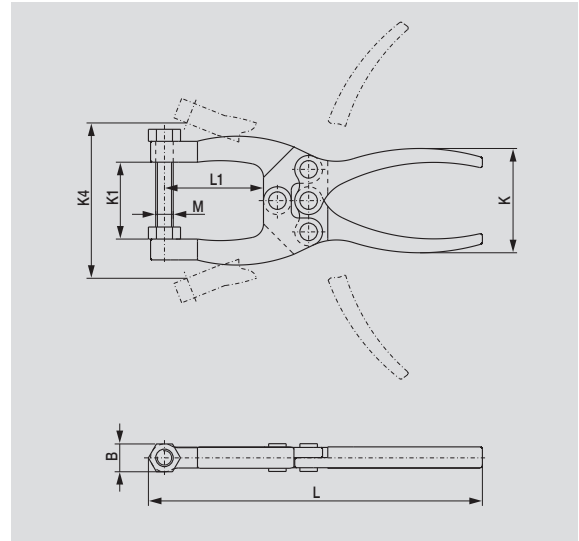
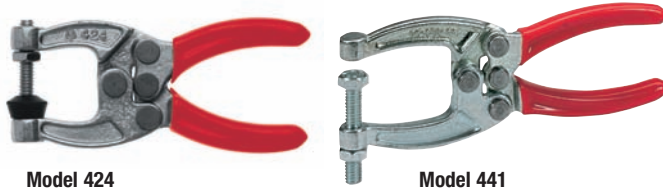
### Application areas

These high strength squeeze action clamps are ideal for all rugged clamping applications. Clamp strength comes from the high-strength steel that is used.

## Models 424, 441

Model no.	Holding Capacity	[lbs.]	[lbs.]	Standard equipment
	↑ ↓ [lbs.]			
424	200	0.31	424208-M (neoprene tipped)	
441	350	0.63	441203-M (hex head)	

See additional adjustment spindles beginning on page 9.1.

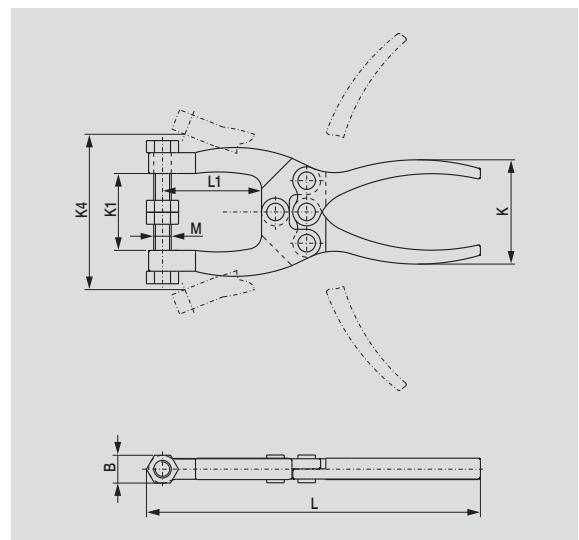
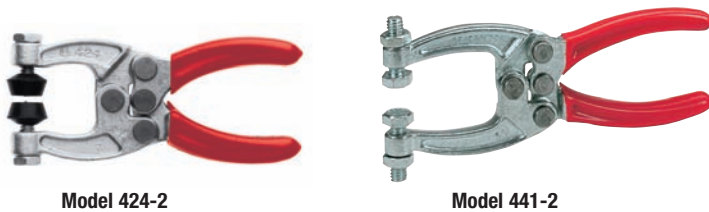


Model no.	B	K	K1	K4	L	L1	M								
424	0.66	1.91	1.00	2.06	4.63	1.08	M6								
441	0.50	1.97	1.25	2.86	6.06	1.77	M8								

## Models 424-2, 441-2

Model no.	Holding Capacity	[lbs.]	[lbs.]	Standard equipment
	↑ ↓ [lbs.]			
424-2	200	0.31	2x 431208-M (neoprene tipped)	
441-2	350	0.63	2x 461203-M (hex head)	

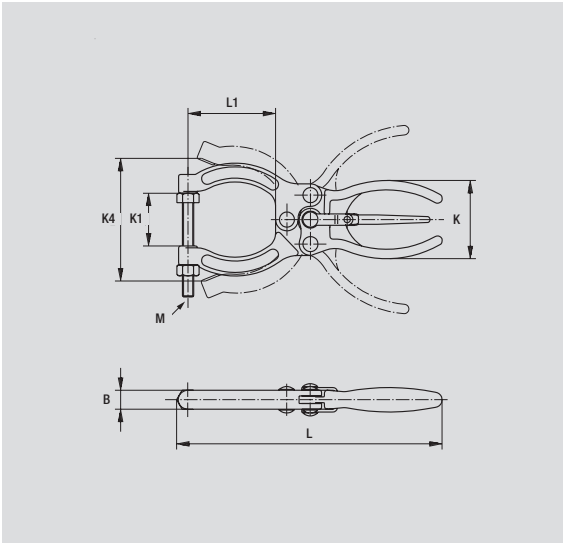
See additional adjustment spindles beginning on page 9.1.



Model no.	B	K	K1	K4	L	L1	M								
424-2	0.66	1.91	1.00	2.06	4.63	1.08	M6								
441-2	0.50	1.97	1.25	2.86	6.06	1.77	M8								



Model 425



Model no.	Holding Capacity		Standard equipment
	[lbs.]	[lbs.]	
425	500	0.40	205203-M (hex head)

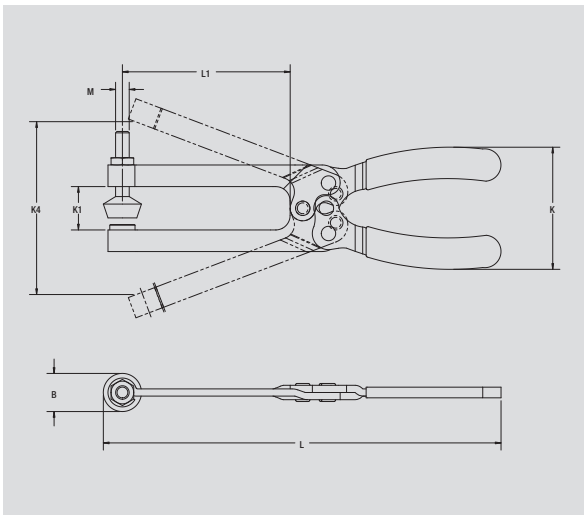
See additional adjustment spindles beginning on page 9.1

■ Two-way trigger release allows for fast and easy opening of clamp



Model no.	B	K	K1	K4	L	L1	M
425	0.39	1.73	1.10	2.56	5.54	1.83	M6

Models 431, 431-2



Model no.	Holding Capacity		Standard equipment
	[lbs.]	[lbs.]	
431	100	0.30	424208-M (neoprene tipped)
431-2 ▲	100	0.30	2x 431208-M (neoprene tipped)

See additional adjustment spindles beginning on page 9.1



Model 431



Model 431-2

Model no.	B	K	K1	K4	L	L1	M
431	0.66	2.12	0.75	3.06	6.90	2.93	M6
431-2 ▲	0.66	2.12	0.75	3.06	6.90	2.93	M6

▲ Available upon request

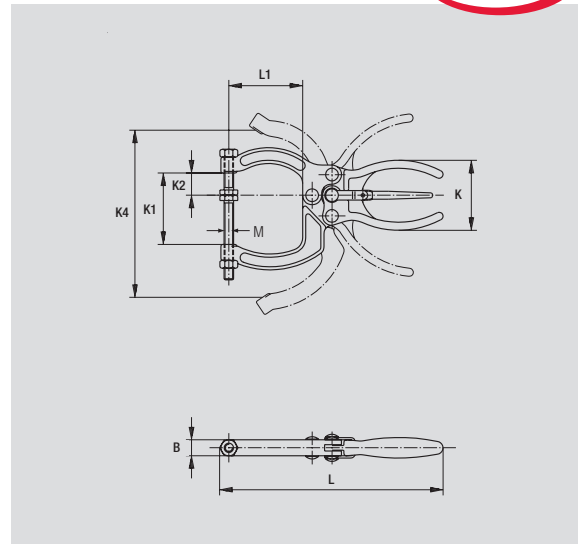
# Model 435



	Holding Capacity 		
Model no.	[lbs.]	[lbs.]	Standard equipment
435	500	0.50	2x 205203-M

See additional adjustment spindles beginning on page 9.1.

■ Similar to Model 425 but with wider jaw opening



Model no.	B	K	K1	K2	K4	L	L1	M							
435	0.39	1.72	1.75	0.55	3.23	5.52	1.83	M6							

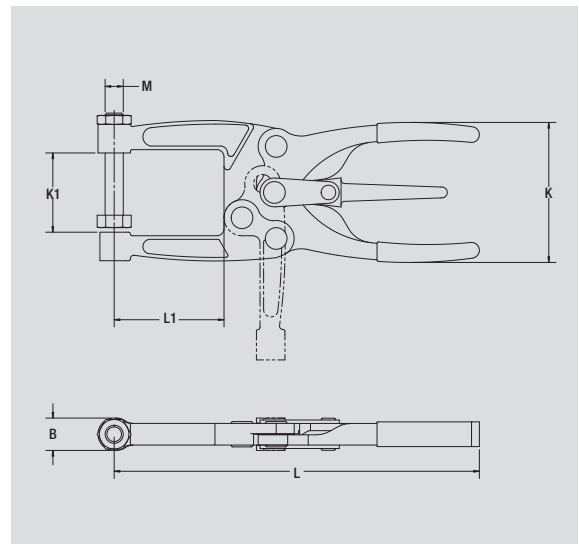
# Model 443

	Holding Capacity 	Jaw Opens +10°		
Model no.	[lbs.]	[lbs.]	Standard equipment	
443 ▲	500	64°	0.75	441203-M (hex head)

See additional adjustment spindles beginning page 9.1.



Model 443



Model no.	B	K	K1	L	L1	M									
443 ▲	0.56	2.47	1.39	6.70	1.88	M8									

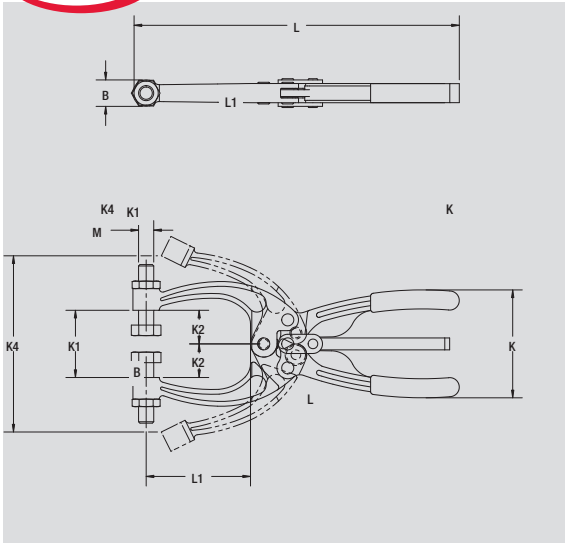
▲ Available upon request



**NEW**

# Model 445

Plier Clamps

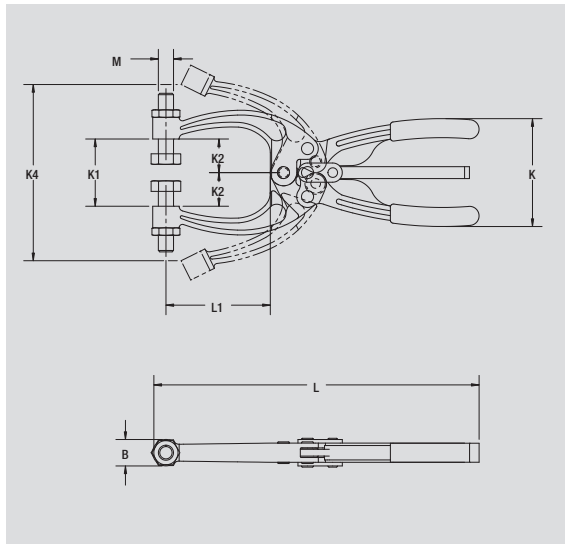


Model no.	Holding Capacity ↕ [lbs.]	[lbs.]	Standard equipment
445	2,000	1.60	210203-M (hex head)

See additional adjustment spindles beginning on page 9.1.

Model no.	B	K	K1	K4	L	L1	M								
445	0.63	2.00	2.09	4.41	8.27	2.76	M10								

# Models 462, 482



Model no.	Holding Capacity ↕ [lbs.]	[lbs.]	Standard equipment
462	700	1.13	468206-M (swivel foot)
482	1,200	1.75	468206-M (swivel foot)

See additional adjustment spindles beginning on page 9.1.



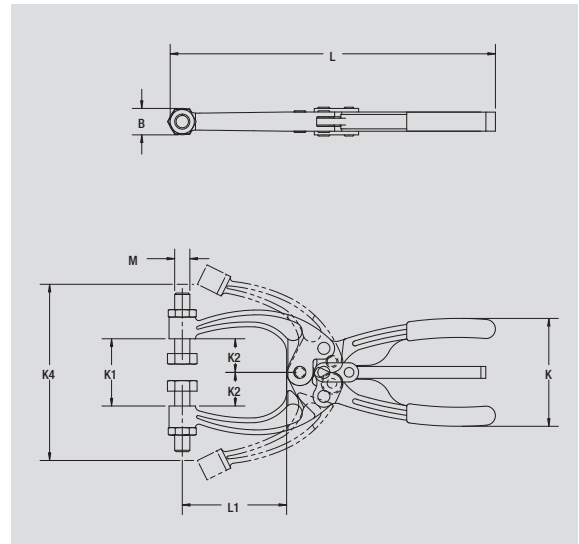
Model 462/482

Model no.	B	K	K1	K4	L	L1	M								
462	0.69	2.81	1.75	4.10	8.50	2.72	M10								
482	0.69	2.80	1.70	4.06	9.19	2.56	M10								

## Model 462-2

Model no.	Holding Capacity	[lbs.]	[lbs.]	Standard equipment
	↕ ↕ [lbs.]			
462-2	700	1.13	2x 491203-M (hex head)	

See additional adjustment spindles beginning on page 9.1.

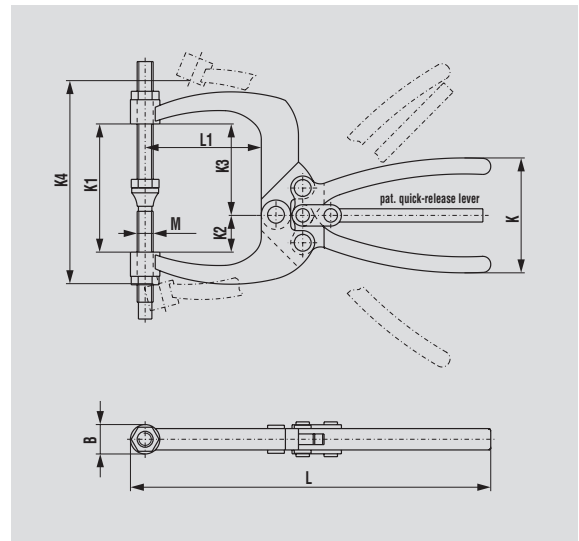


Model no.	B	K	K1	K2	K4	L	L1	M							
462-2	0.69	2.81	1.75	0.88	4.10	8.50	2.72	M10							

## Model 463

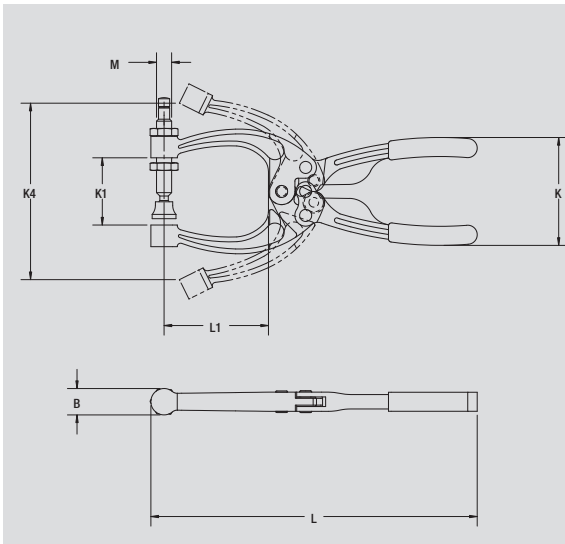
Model no.	Holding Capacity	[lbs.]	[lbs.]	Standard equipment
	↕ ↕ [lbs.]			
463	700	1.19	468206-M 210203-M	

See additional adjustment spindles beginning on page 9.1.



Model no.	B	K	K1	K2	K3	K4	L	L1	M						
463	0.69	2.81	3.00	0.88	2.13	4.75	8.50	2.72	M10						

# Model 468



Model no.	Holding Capacity		Standard equipment
	[lbs.]	[lbs.]	
468 ▲	700	1.00	468206-M (swivel foot)

See additional adjustment spindles beginning on page 9.1.

■ Same as Model 462 except without trigger release

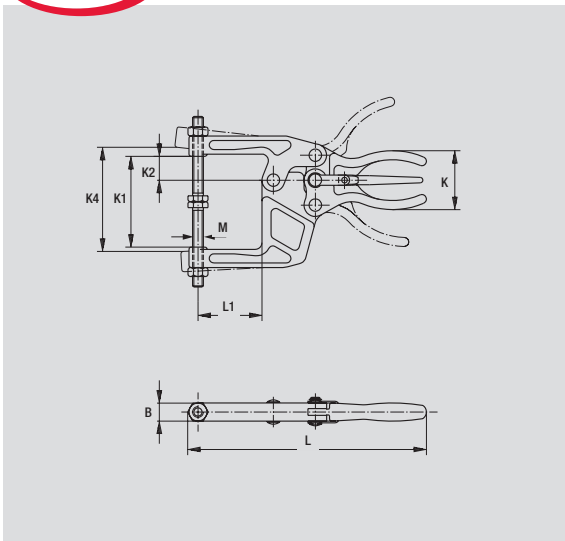


Model no.	B	K	K1	K4	L	L1	M
468 ▲	0.69	2.66	1.75	4.10	8.47	2.75	M10

▲ Available upon request

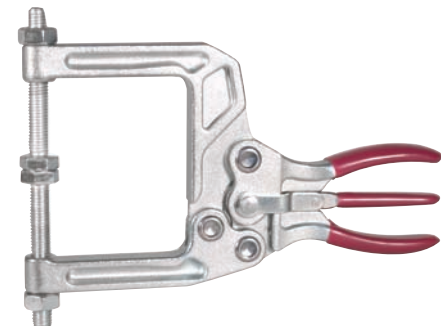
**NEW**

# Model 470



Model no.	Holding Capacity		Standard equipment
	[lbs.]	[lbs.]	
470	2,000	1.90	2x 210203-M (hex head)

See additional adjustment spindles beginning on page 9.1.



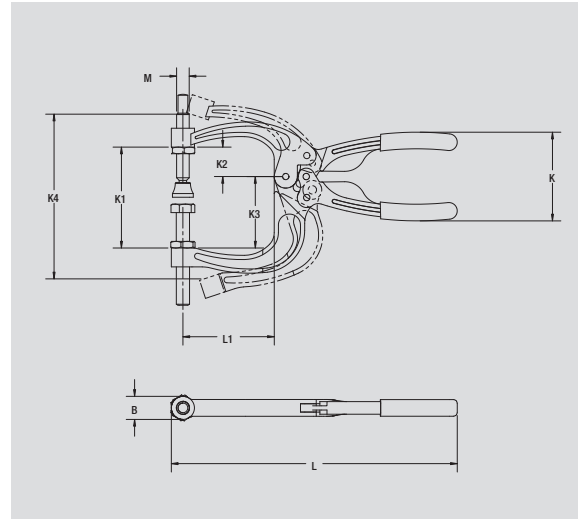
Model no.	B	K	K1	K2	K4	L	L1	M
470	0.63	2.00	3.35	0.91	5.63	8.27	2.76	M10

## Model 474

Model no.	Holding Capacity		Standard equipment
	[lbs.]	[lbs.]	
474 ▲	700	1.00	468206-M (swivel foot) 210203-M (hex head)

See additional adjustment spindles beginning on page 9.1.

■ Same as Model 463 except without trigger release



Model no.	B	K	K1	K2	K3	K4	L	L1	M
474 ▲	0.69	2.81	3.00	0.86	2.13	4.75	8.50	2.72	M10

▲ Available upon request

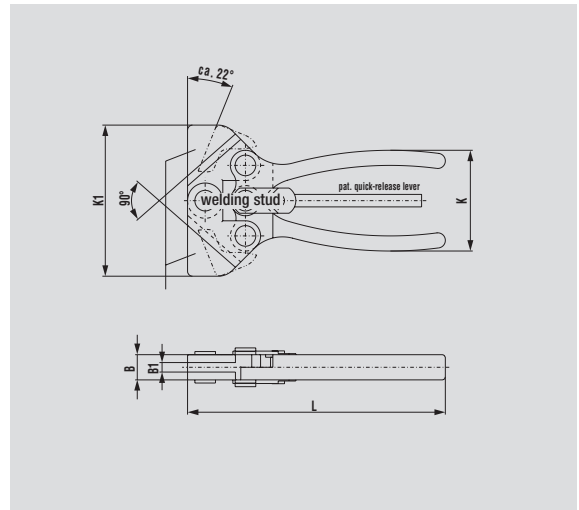
## Model 480

Model no.	Holding Capacity	
	[lbs.]	[lbs.]
480 ▲	1,200 with 2.56 Jaw Extension	1.31

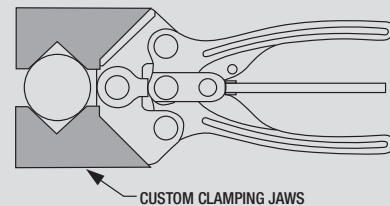
See additional adjustment spindles beginning on page 9.1.



Model 480



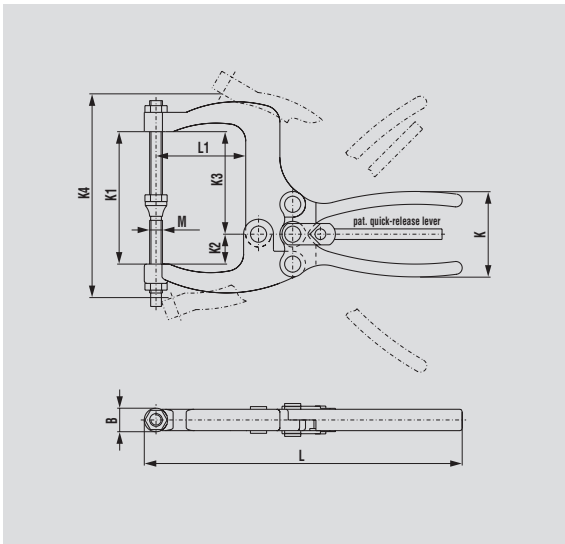
### Typical Application



Model no.	B	B1	K	K1	L
480 ▲	0.63	0.23	2.61	3.75	6.19

▲ Available upon request

# Model 484



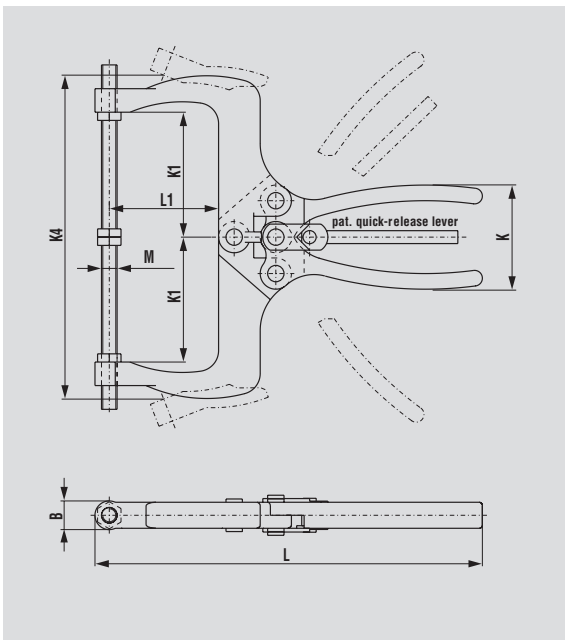
Model no.	Holding Capacity		Standard equipment
	[lbs.]	[lbs.]	
484	1,200	2.00	468206-M (swivel foot) 210203-M (hex head)

See additional adjustment spindles beginning on page 9.1.



Model no.	B	K	K1	K2	K3	K4	L	L1	M
484	0.69	2.69	3.83	0.87	2.95	6.00	9.06	2.56	M10

# Model 486



Model no.	Holding Capacity		Standard equipment
	[lbs.]	[lbs.]	
486	1,000	2.31	2x 240203-M (hex head)

See additional adjustment spindles beginning on page 9.1.



Model no.	B	K	K1	K4	L	L1	M
486	0.69	2.88	3.00	8.00	9.22	2.56	M10

Lined notes area with horizontal ruling lines.