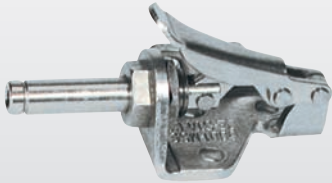


NEW

Model 6001-MSS: 50% higher holding capacity

Very compact plunger clamp with the flexibility of side mounting. Ideal for use in the electronics industry, precision mechanics, food industry and much more.

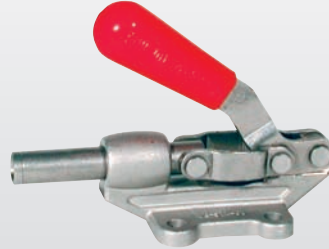


page **8.12**

NEW

Models 603-MSS, 603-SS in stainless steel

The popular 603 plunger clamp is now available in stainless steel. This plunger clamp can now be used in applications where the normal zinc plated version might corrode.

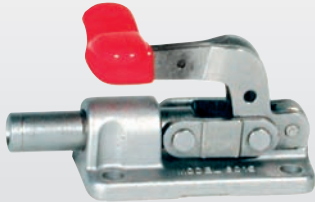


page **8.13**

NEW

Model 6015-MSS: Compact clamp in stainless steel

Model 6015-MSS is the smallest of the straight-line, machined-cast base clamps. Its compact size allows it to be used in confined areas and on small fixtures. Handles are red vinyl dipped for greater operator comfort.



page **8.14**

NEW

Model 3011-SS



page **8.21**

NEW

Models 359-35, 359-65



page **8.22**

Product group – stainless steel clamps

Application areas

DE-STA-CO toggle clamps made of stainless steel are resistant to corrosion and chemicals. These clamps are recommended for use in the chemical and food industries.

The essential product features

- Corrosion-resistant and heat-resistant steel
- Smooth surfaces without burrs
- Rivets made of stainless steel












Model 225-USS during service use in the chemical industry



	Model no.	Holding Capacity max. [lbs.]	Category	Page
	201-USS	125	Vertical	8.4
	202-USS	250	Vertical	
	207-USS	450	Vertical	
	210-USS	750	Vertical	
	202-SS	250	Vertical	8.5
	202-UBSS	250	Vertical	8.6
	205-SSS	75	Horizontal	8.7
	205-USS	75	Horizontal	
	215-USS	250	Horizontal	
	225-USS	600	Horizontal	
	235-USS	850	Horizontal	
	206-SS	100	Horizontal	8.8
	206-HSS	100	Horizontal	

	Model no.	Holding Capacity max. [lbs.]	Category	Page
	213-USS	150	Horizontal	8.9
	217-USS	250	Horizontal	
	227-USS	600	Horizontal	
	237-USS	800	Horizontal	
	225-UBSS	600	Horizontal	8.10
	305-USS	200	Compact	8.10
	307-USS	350	Compact	
	309-USS	750	Compact	
	601-SS	100	Straight-line	8.11
	601-OSS	100	Straight-line	
	6001-MSS	150	Straight-line	8.12

Product group – stainless steel clamps

	Model no.	Holding Capacity max. [lbs.]	Category	Page		Model no.	Holding Capacity max. [lbs.]	Category	Page
	603-SS 603-MSS	840 840	Straight-line Straight-line	8.13		351-BSS	375	Latch	8.18
	602-SS 604-SS 604-MMSS 624-SS	200 400 400 700	Straight-line	8.13		325-SS	800	Squeeze	8.19
	6015-MSS	630	Straight-line	8.14		301-SS	450	Latch	8.20
	323-SS 331-SS 341-SS	360 700 2,000	Latch Latch Latch	8.15		3011-SS	2,000	Latch	8.21
	331-RSS 341-RSS	700 2,000	DE-STA-CO® Toggle Lock Plus Latch DE-STA-CO® Toggle Lock Plus Latch	8.16		359-35 359-65	1,400 1,200	Parting Line Clamp	8.22
	385-V2A	7,500	Latch	8.16					
	324-SS 334-SS 344-SS	500 1,000 2,000	Latch Latch Latch	8.17					
	330-SS 351-SS 371-SS 381-SS	200 450 750 1,000	Latch Latch Latch Latch	8.18					

Stainless steel: vertical clamps

- U-shaped clamping bar
- Flanged bases

Application areas

DE-STA-CO toggle clamps made of stainless steel are resistant to corrosion and chemicals. These clamps are recommended for use in the chemical and food industries.




Product features

- Corrosion-resistant and heat-resistant steel
- Smooth surfaces without burrs
- Rivets made of stainless steel
- Oil-resistant, ergonomically shaped DE-STA-CO handle grip

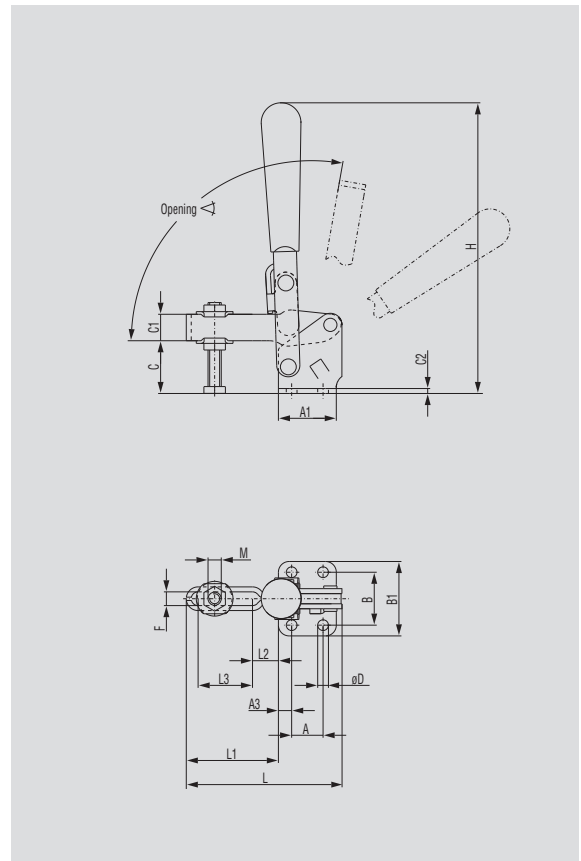
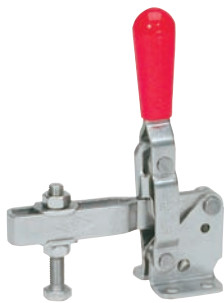
Accessories

Vertical clamps in stainless steel versions are generally delivered with standard adjustment spindles made of stainless steel.

Models 201-USS, 202-USS, 207-USS, 210-USS

Model no.	Holding Capacity ↑ [lbs.]	Bar Opening ↗ +10°	 [lbs.]	 Standard equipment	 Flanged Washers
201-USS	125	110°	0.15	201943	102911
202-USS	250	104°	0.35	202943	215905
207-USS	450	115°	0.70	509907-M	507907
210-USS	750	106°	1.29	237943	235906

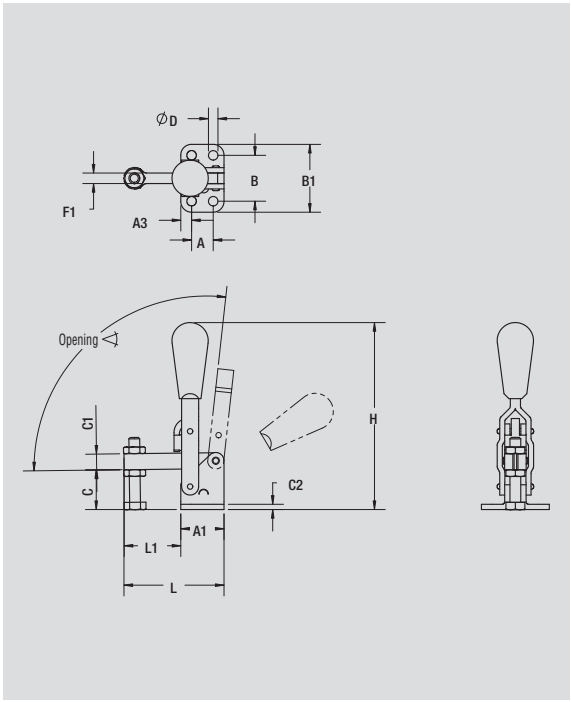
See additional adjustment spindles beginning on page 9.1.



Model no.	A	A1	A3	B	B1	C	C1	C2	øD	F	H	L	L1	L2	L3	M
201-USS	0.63	1.00	.19	0.94	1.31	0.63	0.31	0.08	0.17	0.21	3.03	2.02	1.02	0.13	0.73	M5 or #10
202-USS	0.50	1.00	0.26	1.06	1.56	0.94	0.38	0.12	0.22	0.25	4.21	2.72	1.72	0.51	0.98	M6 or 1/4
207-USS	0.75	1.38	0.31	1.25	1.75	1.25	0.63	0.11	0.28	0.33	5.63	4.41	3.06	0.50	1.96	M8 or 5/16
210-USS	1.25	1.91	0.31	1.78	2.53	1.67	0.79	0.11	0.33	0.40	7.58	5.53	3.63	0.94	2.56	M10 or 3/8

Model 202-SS

Stainless Steel Clamps






Model no.	Holding Capacity ▲ [lbs.]	Bar Opening ◁ +10°	[lbs.]	Standard equipment	Flanged Washers
202-SS	250	104°	0.33	202943	215905

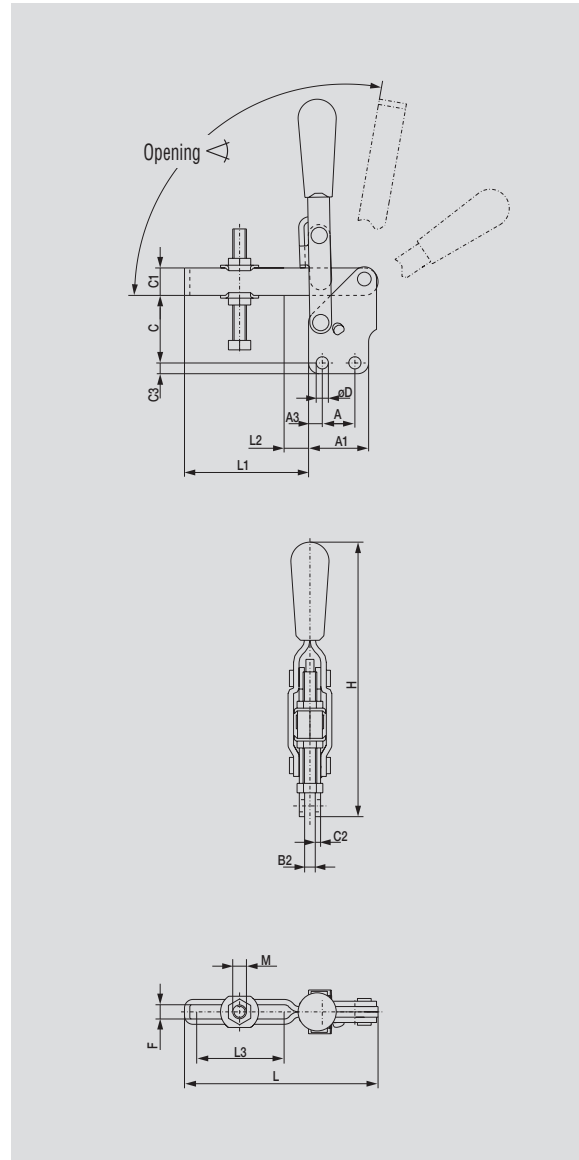
Additional adjustment spindles are listed from page 9.1 forward.



Model no.	A	A1	A3	B	B1	C	C1	C2	øD	F1	H	L	L1	L2				
202-SS	0.50	1.00	0.25	1.06	1.57	0.95	0.37	0.12	0.22	0.24	4.33	2.31	1.31	1.09				

Model 202-UBSS

	Holding Capacity ▲ [lbs.]	Bar Opening ◁ +10°	 [lbs.]	 Standard equipment	 Flanged Washers
Model no.					
202-UBSS ▲	250	104°	0.35	202943	215905
See additional adjustment spindles beginning on page 9.1.					



Model no.	A	A1	A3	B2	C	C1	C2	C3	øD	F	H	L	L1	L2	L3	M
202-UBSS ▲	0.50	1.00	0.26	0.24	1.13	0.38	0.12	0.12	0.22	0.25	4.40	2.73	1.73	0.51	0.98	M6 or 1/4

▲ Available upon request

Stainless steel: horizontal and compact clamps

- U-shaped or fixed clamping bar
- Flanged bases

Application areas

DE-STA-CO toggle clamps made of stainless steel are resistant to corrosion and chemicals. These clamps are recommended for use in the chemical and food industries.

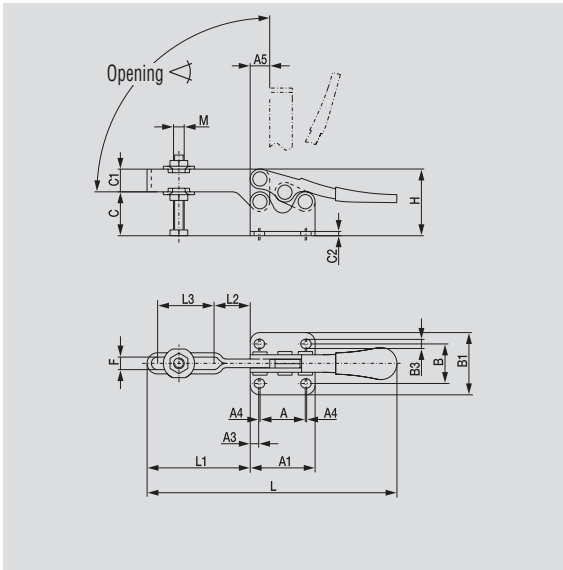
Product features

- Corrosion-resistant and heat-resistant steel
- Smooth surfaces without burrs
- Rivets made of stainless steel
- Oil-resistant, ergonomically shaped DE-STA-CO handle grip (except for models 205-SSS and 205-USS)

Accessories

Horizontal and compact clamps in stainless steel versions are generally delivered with standard adjustment spindles made of stainless steel.

Models 205-SSS, 205-USS, 215-USS, 225-USS, 235-USS



Model no.	Holding Capacity [lbs.]	Bar Opening $\angle +10^\circ$	[lbs.]	Standard equipment	Flanged Washers
205-SSS	75	90°	0.06	205943	105906
205-USS	75	90°	0.06	205943	105906
215-USS	250	90°	0.34	202943	215905
225-USS	600	90°	0.55	207943	507907
235-USS	850	90°	1.47	237943	235906

See additional adjustment spindles beginning on page 9.1.



Model 205-USS



Model 205-SSS



Model 215-USS

Model no.	A	A1	A3	A4	A5	B	B1	B3	C	C1	C2	F	H	L	L1	M
205-SSS	0.44	0.94	0.16	0.63	0.30	0.62	0.93	0.17	0.37	0.12	0.06	0.17	0.67	2.78	0.88	M4 or 10-32
205-USS	0.44	0.94	0.16	0.63	0.22	0.62	0.93	0.17	0.31	0.26	0.06	0.20	0.67	2.65	0.74	M4 or 10-32
215-USS	1.00	1.44	0.19	1.06	0.43	0.88	1.37	0.20	1.00	0.49	0.10	0.28	1.53	5.50	2.25	M6 or 1/4
225-USS	1.00	1.50	0.25	—	0.49	0.88	1.38	0.30	1.32	0.49	0.12	0.31	1.84	6.70	2.72	M8 or 5/16
235-USS	1.63	2.25	0.37	—	0.69	1.63	2.25	0.34	1.75	0.75	0.16	0.43	2.55	10.87	4.16	M10 or 3/8

Models 206-SS, 206-HSS

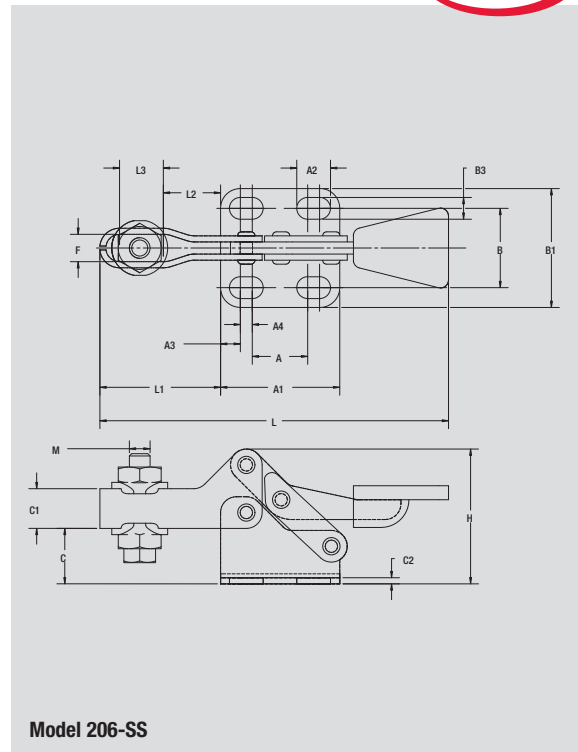


Model no.	Holding Capacity ↑ [lbs.]	Bar Opening ↙ +10°	 [lbs.]	 Standard equipment	 Flanged Washers
206-SS	100	90°	0.07	205943	105906
206-HSS	100	90°	0.07	205943	105906

See additional adjustment spindles beginning on page 9.1.



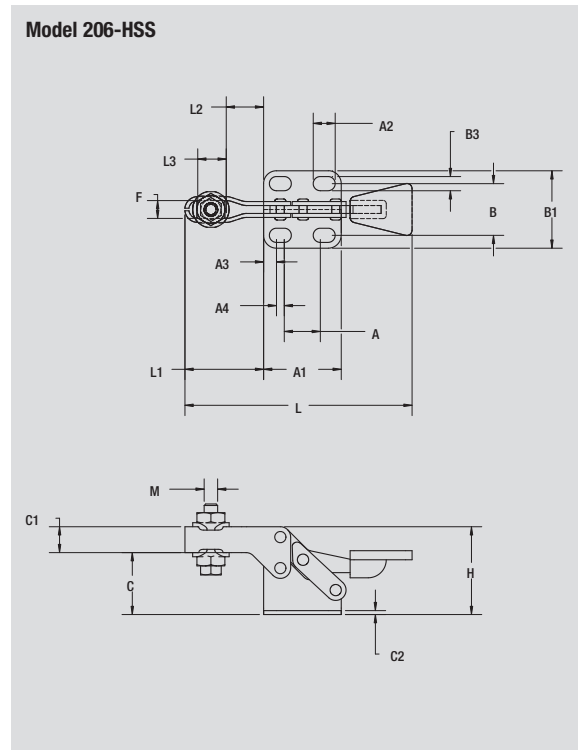
Model 206-SS



Model 206-SS



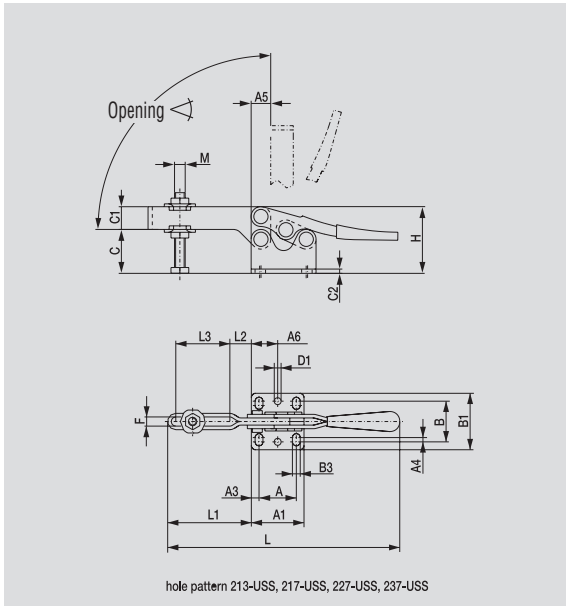
Model 206-HSS



Model 206-HSS

Model no.	A	A1	A2	A3	A4	B	B1	B3	C	C1	C2	F	H	L	L1	L2	L3	M
206-SS	0.44	0.94	0.27	0.16	0.53	0.63	0.94	0.17	0.44	0.31	0.05	0.22	1.06	2.75	0.95	0.45	0.35	8-32
206-HSS	0.44	0.94	0.27	0.16	0.53	0.63	0.94	0.17	0.75	0.31	0.05	0.22	1.06	2.75	0.95	0.45	0.35	8-32

Models 213-USS, 217-USS, 227-USS, 237-USS



Model no.	Holding Capacity ↑ [lbs.]	Bar Opening ↙ +10°	⚖️ [lbs.]	🔧 Standard equipment	🔩 Flanged Washers
213-USS	150	90°	0.17	201943	102911
217-USS	250	92°	0.40	202943	215905
227-USS	600	92°	0.68	207943	507907
237-USS ▲	850	92°	1.60	237943	235906

See additional adjustment spindles beginning on page 9.1.



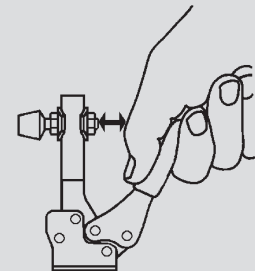
Model 217-USS – 237-USS

Model no.	A	A1	A2	A3	A5	A6	B	B1	B3	C	C1	C2	øD1	F	H	L	L1	L2	L3	M
213-USS	0.53	1.00	0.17	0.24	0.12	–	0.70	1.06	0.06	0.72	0.37	0.08	–	0.22	1.39	4.12	1.42	0.39	0.85	M5 or #8
217-USS	1.03	1.47	0.22	0.22	0.20	0.73	1.19	1.62	0.12	0.97	0.49	0.10	0.19	0.26	1.95	6.56	2.34	0.59	1.50	M6 or 1/4
227-USS	1.03	1.56	0.27	0.28	0.02	0.79	1.22	1.70	0.10	1.30	0.57	0.12	0.19	0.33	2.43	7.56	2.68	0.79	1.52	M8 or 5/16
237-USS ▲	1.63	2.25	0.34	0.31	0.30	1.12	1.69	2.25	0.08	1.62	0.75	0.16	0.23	0.41	3.20	10.67	4.06	0.96	2.75	M10 or 3/8

▲ Available upon request

Safety Distance

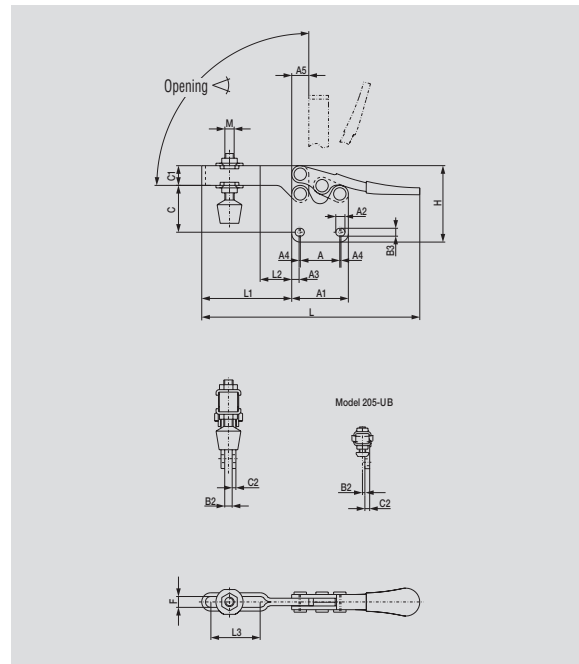
Exclusive handle design gives more hand clearance between bar and handle when clamp is in fully open position.



Model 225-UBSS

Model no.	Holding Capacity ↑ [lbs.]	Bar Opening ↘ +10°	[lbs.]	Standard equipment	Flanged Washers
225-UBSS	600	90°	0.55	207943	507907

See additional adjustment spindles beginning on page 9.1.



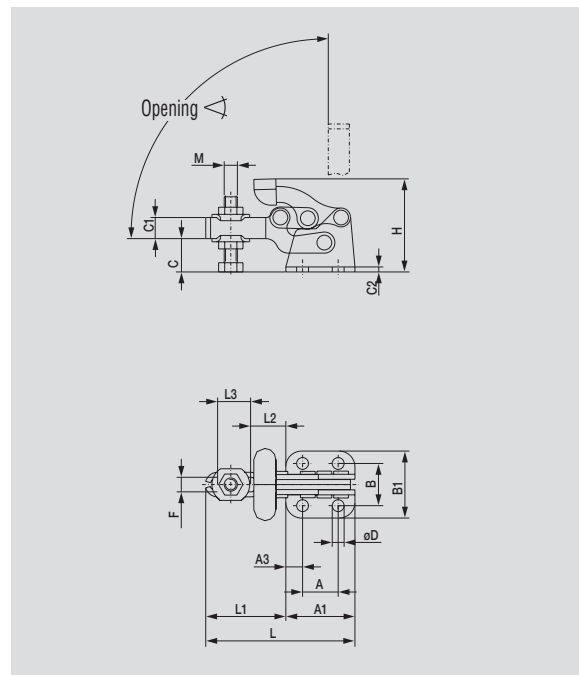
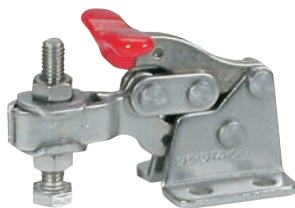
Model no.	A	A1	A3	A5	B3	C	C1	C2	F	H	L	L1	L2	L3	M
225-UBSS ▲	1.00	1.50	0.25	0.49	0.27	1.83	0.49	0.24	0.31	2.38	6.70	2.72	1.08	1.39	M8 or 5/16

▲ Available upon request

Models 305-USS, 307-USS, 309-USS

Model no.	Holding Capacity ↑ [lbs.]	Bar Opening ↘ +10°	[lbs.]	Standard equipment	Flanged Washers
305-USS	200	92°	0.13	201943	102911
307-USS	350	92°	0.54	207943	507907
309-USS	750	92°	1.30	237943	235906

See additional adjustment spindles beginning on page 9.1.



Model no.	A	A1	A3	B	B1	C	C1	C2	øD	F	H	L	L1	L2	L3	M
305-USS	0.53	1.03	0.26	0.63	1.00	0.50	0.31	0.08	0.18	0.22	1.38	2.22	1.19	0.53	0.50	M5 or #10
307-USS	0.91	1.72	0.41	1.16	1.80	0.87	0.49	0.12	0.28	0.31	2.40	3.60	1.88	0.87	0.80	M8 or 5/16
309-USS	1.38	2.52	0.57	1.50	2.47	1.30	0.75	0.12	0.33	0.41	3.55	5.18	2.66	1.24	1.06	M10 or 3/8

Stainless steel: straight-line action clamps

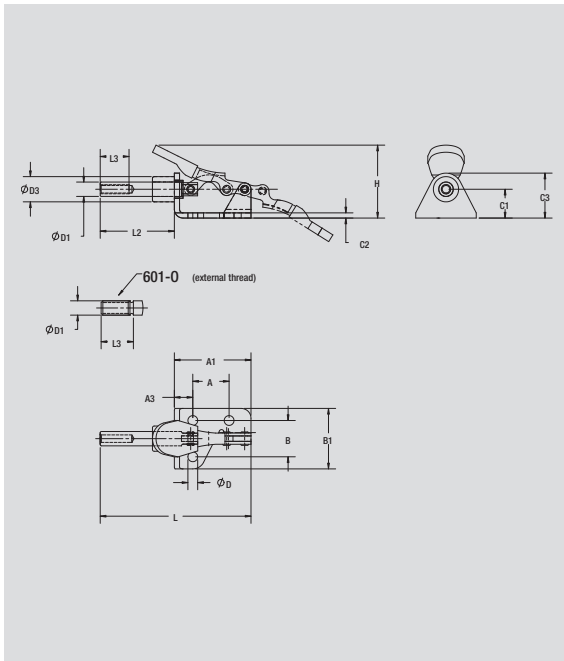
Application areas

DE-STA-CO toggle clamps made of stainless steel are resistant to corrosion and chemicals. These clamps are recommended for use in the chemical and food industries.

Product features

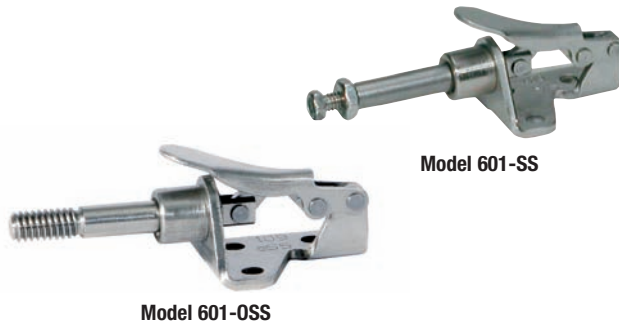
- Corrosion-resistant and heat-resistant steel
- Smooth surfaces without burrs
- Rivets made of stainless steel
- Oil-resistant, ergonomically shaped DE-STA-CO plastic handle grip (except for model 601-SS, 601-OSS and 6001-MSS)

Models 601-SS, 601-OSS



Model no.	Holding Capacity ↔ [lbs.]	Plunger Travel	⚖ [lbs.]	🔧 Standard equipment	🌀 Plunger Thread
601-SS	100	0.63	0.09	205943	8-32
601-OSS	100	0.63	0.13	None	1/4-20

- Locks in both extended and retracted positions
- Allow handle to fall below plane level to lock in retracted position



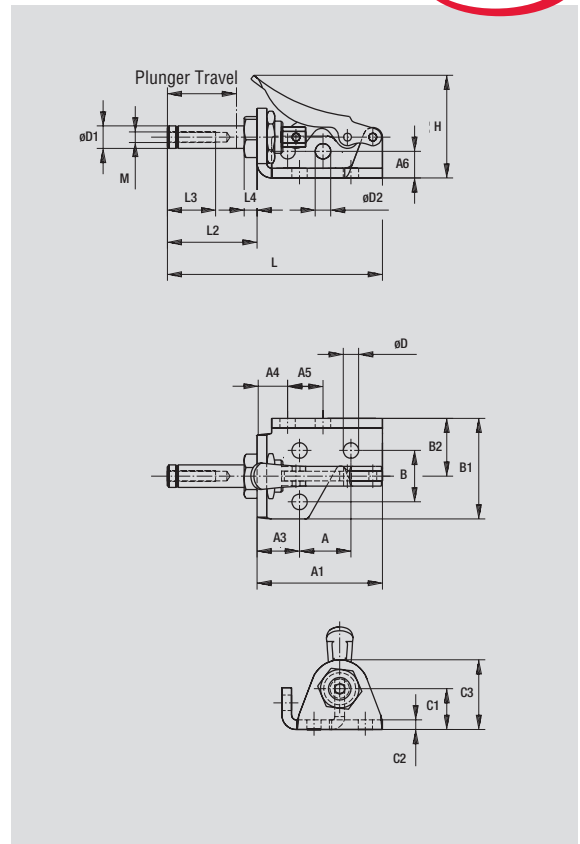
Model no.	A	A1	A3	B	B1	C1	C2	C3	øD	øD1	øD3	H	L	L2	L3				
601-SS	0.63	1.33	0.32	0.63	1.05	0.50	0.09	0.78	0.17	0.25	0.44	1.27	2.62	1.29	0.50				
601-OSS	0.63	1.33	0.32	0.63	1.05	0.50	0.09	0.78	0.17	0.25	—	1.27	2.86	1.53	0.56				

Model 6001-MSS



Model no.	Holding Capacity [lbs.]	Plunger Travel	[lbs.]	Standard equipment	Plunger Thread (M)
6001-MSS	150	0.63	0.12	102908-M	M4
See additional adjustment spindles beginning on page 9.1.					

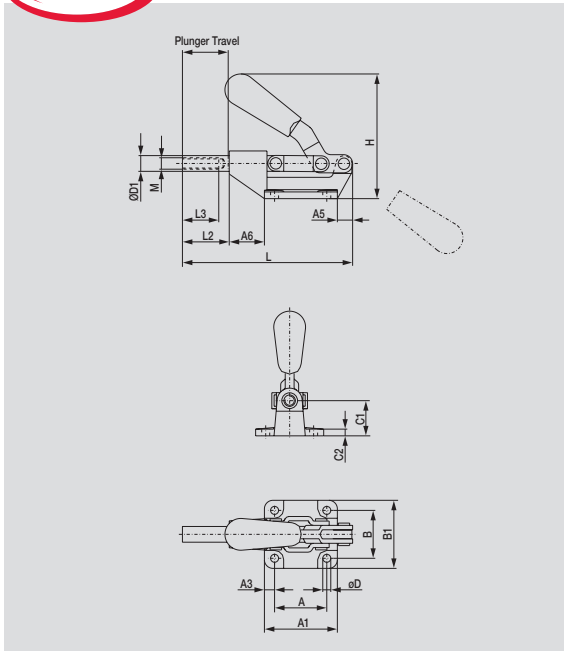
- Locks in both extended and retracted positions
- Allow handle to fall below plane level to lock in retracted position



Model no.	A	A1	A3	A4	A5	A6	B	B1	B2	C1	C2	C3	ϕD	$\phi D1$	$\phi D2$	H	L	L2	L3	L4
6001-MSS	0.63	1.54	0.52	0.37	0.43	0.33	0.63	1.23	0.71	0.50	0.12	0.85	0.19	0.28	0.19	1.30	2.63	1.10	0.59	0.16

NEW

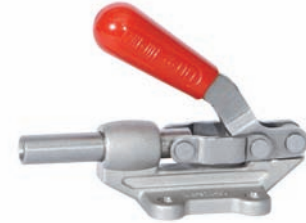
Models 603-SS, 603-MSS



Model no.	Holding Capacity ↔ [lbs.]	Plunger Travel	[lbs.]	Standard equipment	Plunger Thread (M)
603-SS	840	1.25	0.83	–	5/16-18
603-MSS ▲	840	1.25	0.83	509907-M	M8

See additional adjustment spindles beginning on page 9.1.

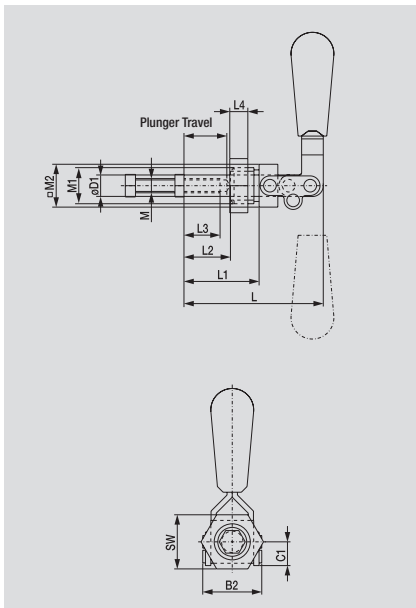
- Locks in both extended and retracted positions
- Allow handle to fall below plane level to lock in retracted position



Model no.	A	A1	A3	A5	A6	B	B1	C1	C2	øD	øD1	H	L	L2	L3
603-SS	1.44	2.00	0.28	0.58	0.94	1.31	1.88	0.97	0.19	0.27	0.47	3.43	4.73	1.22	1.00
603-MSS ▲	1.44	2.01	0.28	0.62	0.88	1.31	1.89	0.96	0.18	0.26	0.47	3.43	4.80	1.30	1.00

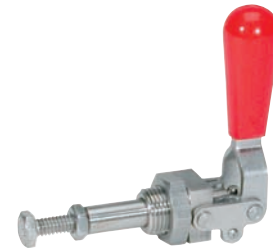
▲ Available upon request

Models 602-SS, 604-SS, 604-MMSS, 624-SS



Model no.	Holding Capacity ↔ [lbs.]	Plunger Travel	[lbs.]	Standard equipment	Plunger Thread (M)	Hex Jam Nut (Standard Equipment)
602-SS	200	0.75	0.25	None	1/4-20	602905
604-SS	400	1.50	0.44	None	5/16-18	606904
604-MMSS ▲	400	1.50	0.44	509907-M	M8	606904-M
624-SS	700	2.63	1.63	None	3/8-16	624905

See additional adjustment spindles beginning on page 9.1.



Model no.	B2	C1	øD1	H	L	L1	L2	L3	L4	M1	M2	SW
602-SS	1.03	0.88	0.37	3.13	2.62	1.31	0.97	0.63	0.25	5/8-18	0.75	0.44
604-SS	1.30	0.50	0.44	4.16	4.95	2.18	1.82	1.00	0.25	3/4-16	0.88	1.00
604-MMSS ▲	1.30	0.50	0.44	4.16	4.95	2.18	1.82	1.00	0.25	M20x1.5	0.88	1.00
624-SS	1.81	0.75	0.62	5.60	6.68	3.62	3.24	1.25	0.25	1-14	1.25	1.50

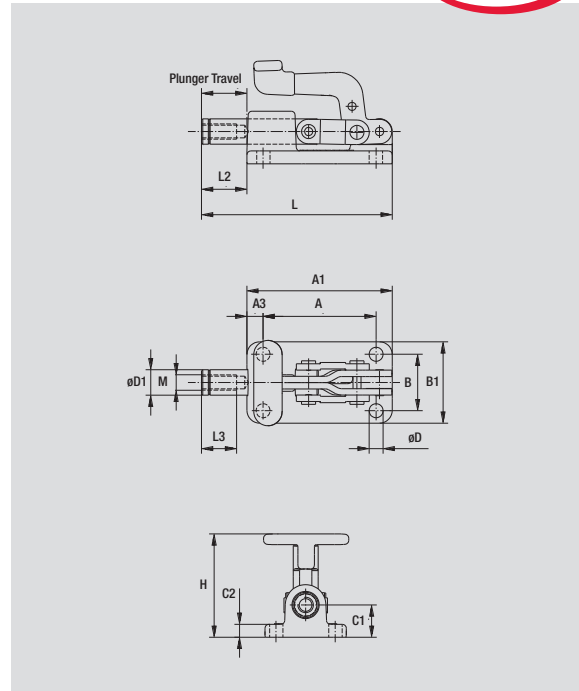
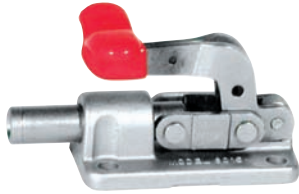
▲ Available upon request

Model 6015-MSS



Model no.	Holding Capacity [lbs.]	Plunger Travel	[lbs.]	Standard equipment	Plunger Thread (M)
6015-MSS	630	0.70	0.34	202916-M	M6
See additional adjustment spindles beginning on page 9.1.					

- Locks in both extended and retracted positions
- Allow handle to fall below plane level to lock in retracted position



Model no.	A	A1	A3	B	B1	C1	C2	øD	øD1	H	L	L2	L3				
6015-MSS	1.75	2.25	0.25	0.88	1.25	0.50	0.20	0.22	0.38	1.60	2.95	0.70	0.75				

- With latch hook
- Horizontal version

Application areas

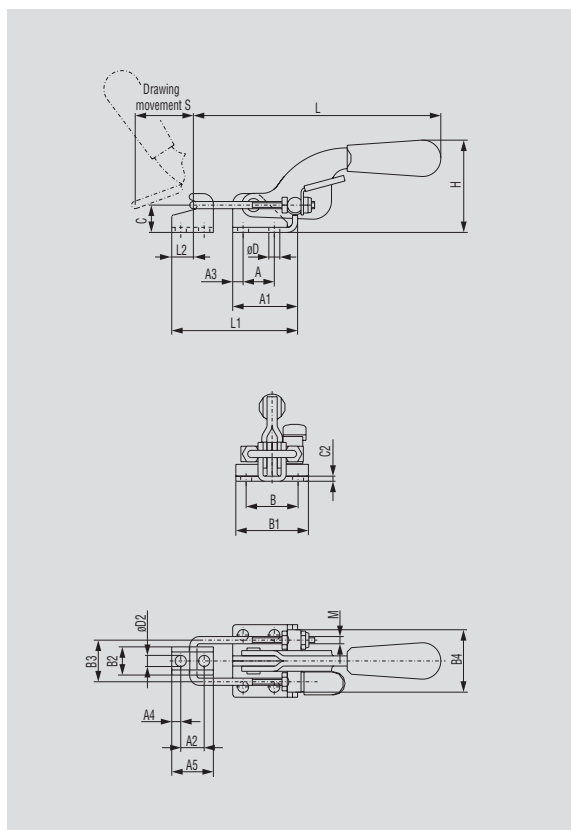
DE-STA-CO toggle clamps made of stainless steel are resistant to corrosion and chemicals. These clamps are recommended for use in the chemical and food industries.

In this series, DE-STA-CO® Toggle Lock Plus models with an additional locking release lever are also available. Secure locking can be achieved even under strong vibrating conditions.

Product features

- **New:** with patented thumb control lever
- Corrosion-resistant and heat-resistant steel
- Smooth surfaces without burrs
- Rivets made of stainless steel
- Oil-resistant, ergonomically shaped DE-STA-CO handle grip

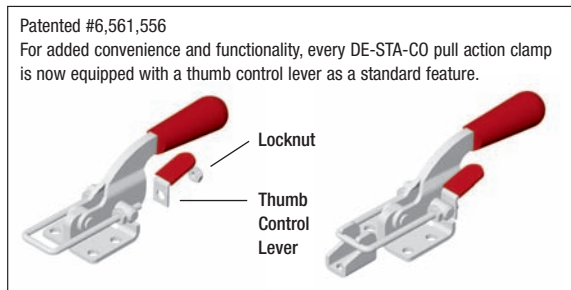
Models 323-SS, 331-SS, 341-SS



Model no.	Holding Capacity [lbs.]	[lbs.]	Adjustment Range	Drawing Movement
323-SS	360	0.15	0-0.49	1.18
331-SS	700	0.56	0-0.59	1.75
341-SS	2,000	1.43	0-0.76	3.00


ALSO AVAILABLE		
As DE-STA-CO®	Model 331-RSS	Page 8.15
Toggle Lock Plus	Model 341-RSS	Page 8.15
See accessories beginning on page 9.1.		

**Patented
Thumb Lever Control
#6,561,556**

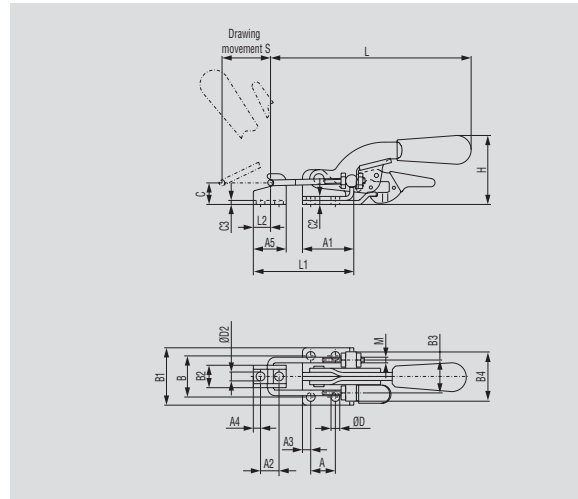


Model no.	A	A1	A2	A3	A4	A5	B	B1	B2	B3	B4	C	C2	dD	dD2	H	L	L1 max	L2	M	S
323-SS	0.63	1.02	0.39	0.20	0.24	0.79	0.75	1.10	0.52	0.75	1.06	0.47	0.08	0.17	0.17	1.19	3.91	2.25	0.35	M4	1.18
331-SS	0.75	1.56	0.56	0.26	0.22	1.00	1.25	1.74	0.68	1.00	1.50	0.66	0.12	0.27	0.27	1.97	6.06	3.05	0.50	M5	1.75
341-SS	1.63	2.38	0.75	0.38	0.38	1.50	1.50	2.12	1.19	1.75	2.32	0.94	0.16	0.33	0.33	2.89	8.20	4.59	0.75	M8	3.00

Models 331-RSS, 341-RSS

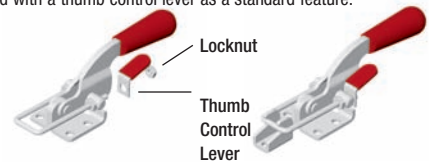
Model no.	Holding Capacity		Adjustment Range	Drawing Movement
	↙ [lbs.]			
331-RSS	700	0.56	0-0.59	1.75
341-RSS	2,000	1.43	0-0.76	3.00

■ DE-STA-CO® Toggle Lock Plus



Patented #6,561,556

For added convenience and functionality, every DE-STA-CO pull action clamp is now equipped with a thumb control lever as a standard feature.




Model no.	A	A1	A2	A3	A4	A5	B	B1	B2
331-RSS	0.75	1.56	0.56	0.26	0.22	1.00	1.25	1.74	0.68
341-RSS	1.63	2.38	0.75	0.38	0.38	1.50	1.50	2.12	1.19

Model no.	B3	B4	C	C2	C3	øD	øD2	H	L	L1 max	L2	M	S					
331-RSS	1.00	1.50	0.66	0.24	0.12	0.27	0.27	2.08	6.06	3.05	0.50	M5	1.75					
341-RSS	1.75	2.32	0.94	0.16	0.16	0.33	0.33	2.89	8.20	4.59	0.75	M8	3.00					

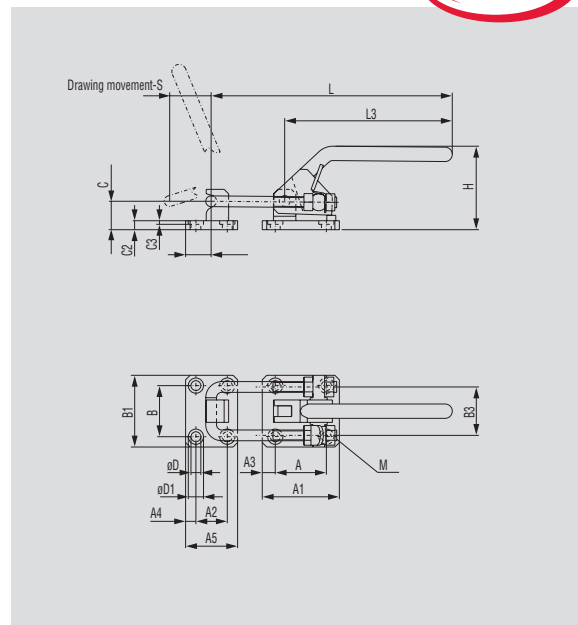
Model 385-V2A



Model no.	Holding Capacity		Adjustment Range
	↙ [lbs.]		
385-V2A ▲	6,000	3.62	0-1.07



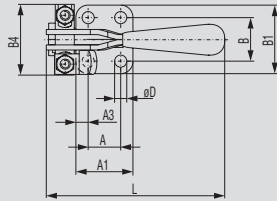
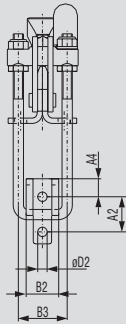
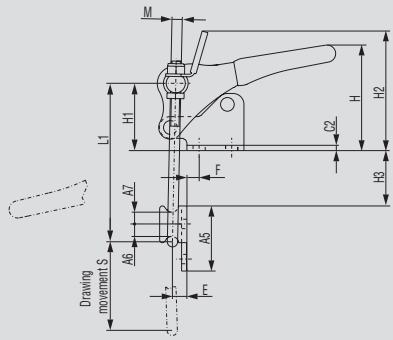
Patented #6,561,556
For added convenience and functionality, every DE-STA-CO pull action clamp is now equipped with a thumb control lever as a standard feature.



Model no.	A	A1	A2	A3	A4	A5	B	B1	B3	C	C2	C3	øD	øD1	H	L	L3	M	S
385-V2A ▲	2.24	3.39	1.38	0.57	0.45	2.28	2.24	3.15	2.13	1.24	0.39	0.16	0.43	0.67	3.66	10.59	7.336	M12	1.81

▲ Available upon request

Models 324-SS, 334-SS, 344-SS



Model no.	Holding Capacity ↑ [lbs.]	 [lbs.]	Adjustment Range	Drawing Movement
324-SS	500	0.25	0-0.50	1.53
334-SS	1,000	0.60	0-0.80	2.00
344-SS	2,000	1.50	0-1.26	2.50



**Patented
Thumb Lever Control
#6,561,556**

Patented #6,561,556
For added convenience and functionality, every DE-STA-CO pull action clamp is now equipped with a thumb control lever as a standard feature.

Model no.	A	A1	A2	A3	A4	A5	A6	A7	B
324-SS	0.50	1.00	0.56	0.25	0.28	1.00	0.19	0.19	0.88
334-SS	0.75	1.31	0.81	0.28	0.41	1.50	0.28	0.28	1.00
344-SS	1.25	1.94	1.06	0.35	0.69	2.13	0.36	0.39	1.44

Model no.	B1	B2	B3	B4	C2	øD	øD2	H	H2	L	L1 max	M	S	E	F	H3 max	H1
324-SS	1.38	0.53	0.81	1.19	0.09	0.20	0.17	1.89	1.98	3.50	2.56	M4	1.53	0.19	0.22	0.91	1.10
334-SS	1.56	0.68	1.13	1.63	0.12	0.28	0.22	2.39	2.69	4.10	3.70	M6	2.00	0.35	0.19	1.35	1.55
344-SS	2.12	1.19	1.75	2.38	0.16	0.34	0.34	3.42	3.10	5.78	5.00	M8	2.50	0.50	0.30	1.93	1.86

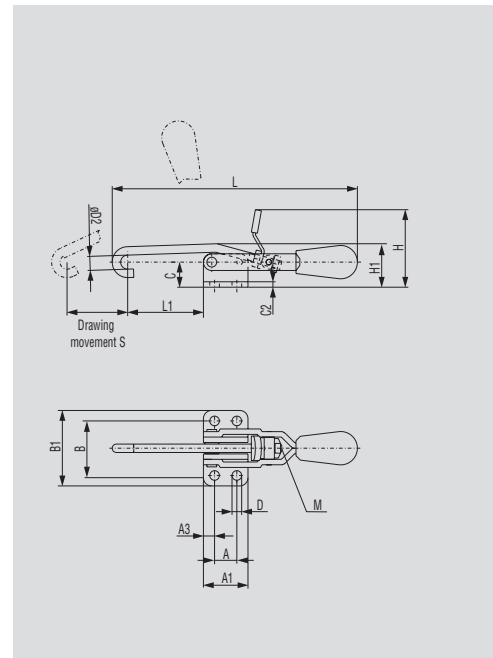
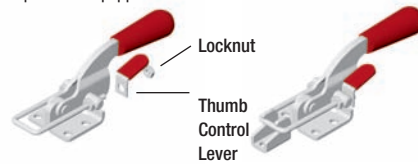
Models 330-SS, 351-SS, 371-SS, 381-SS

Model no.	Holding Capacity ← [lbs.]	 [lbs.]	Adjustment Range	Drawing Movement
330-SS	200	0.24	0-0.25	2.31
351-SS	450	0.61	0-0.43	4.00
371-SS	750	1.53	0-0.81	5.38
381-SS ▲	1,000	2.56	0-0.93	2.56



**Patented
Thumb Lever Control
#6,561,556**


Patented #6,561,556
For added convenience and functionality, every DE-STA-CO pull action clamp is now equipped with a thumb control lever as a standard feature.



Model no.	A	A1	A3	B	B1	C	C2	øD	øD2	H	H1	L	L1 max	M	S
330-SS	0.50	1.00	0.25	1.22	1.69	0.56	0.12	0.22	0.32	1.43	0.89	6.04	1.76	M5	2.31
351-SS	0.75	1.50	0.50	1.37	1.93	0.75	0.12	0.22	0.38	1.85	1.35	8.86	2.18	M8	4.00
371-SS	1.25	1.94	0.34	1.94	2.63	1.42	0.16	0.34	0.50	2.38	2.25	11.86	2.81	M10	5.38
381-SS ▲	1.13	2.13	0.50	2.37	3.38	1.81	0.19	0.41	0.62	2.90	2.71	13.45	3.13	M12	6.13

▲ Available upon request

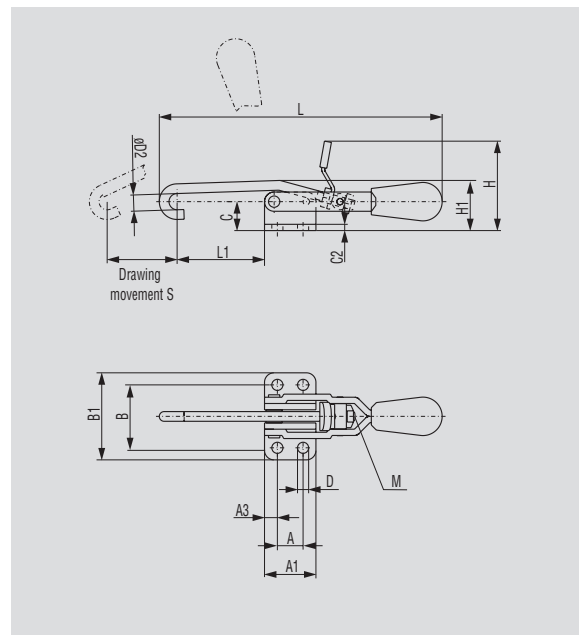
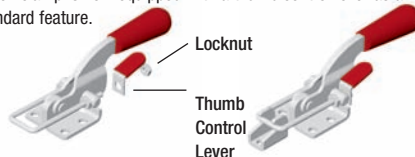
Model 351-BSS

Model no.	Holding Capacity ← [lbs.]	 [lbs.]	Adjustment Range	Drawing Movement
351-BSS	375	0.61	0-0.43	4.00



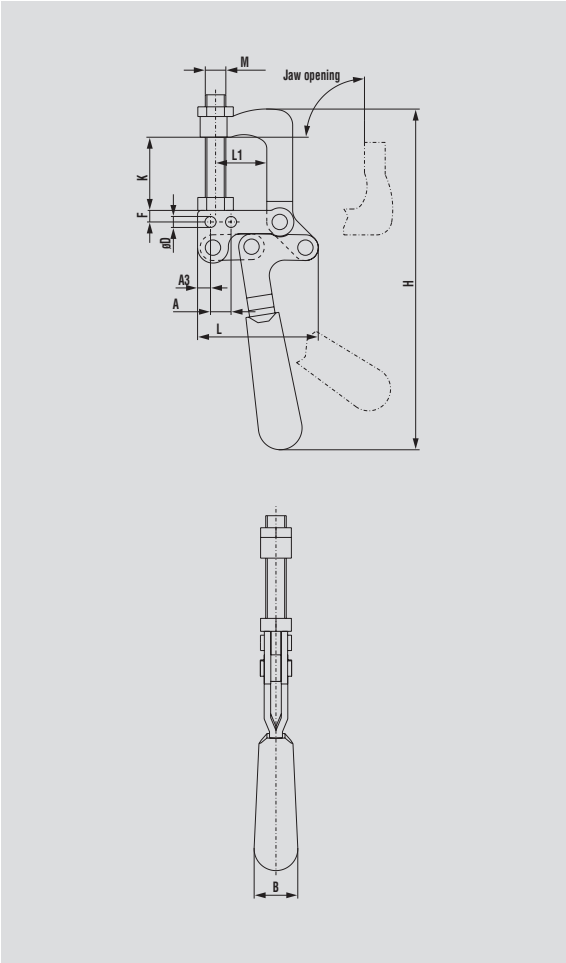
**Patented
Thumb Lever Control
#6,561,556**

Patented #6,561,556
For added convenience and functionality, every DE-STA-CO pull action clamp is now equipped with a thumb control lever as a standard feature.



Model no.	A	A1	A3	B	B4	C	C2	øD	øD2	H	H1	L	L1 max	M	S
351-BSS	1.50	2.00	0.25	0.95	0.56	0.86	0.12	0.27	0.38	1.96	1.46	8.86	1.67	M8	4.00

Model 325-SS



Model no.	Holding Capacity ↓ [lbs.]	Jaw Opens ↙ +10°	[lbs.]	Standard equipment
325-SS	800	90°	1.18	325943

See additional adjustment spindles beginning on page page 9.1.



Model no.	A	A3	B	øD	F	H	K	L	L1	M							
325-SS	0.50	0.31	1.06	0.27	0.28	8.31	1.78	2.94	1.25	M12							

Stainless Steel: latch clamps

■ **U-shaped and hook style**


Application areas

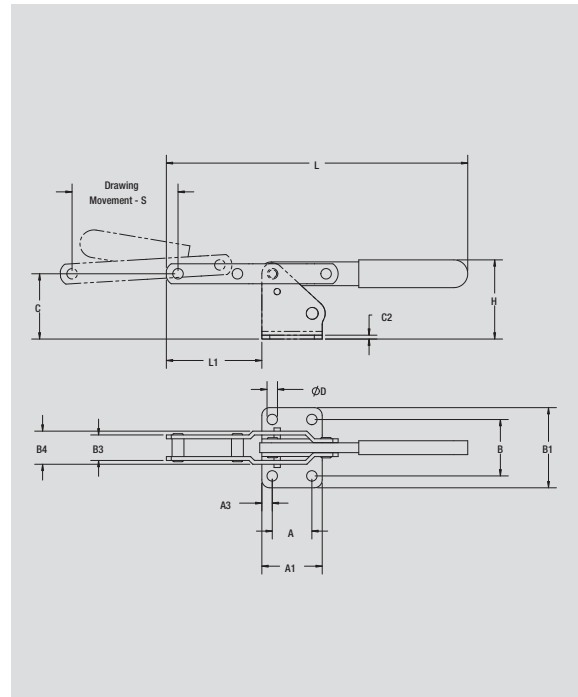
DE-STA-CO toggle clamps made of stainless steel are resistant to corrosion and chemicals. These clamps are recommended for use in the chemical and food industries.

Product features

- Corrosion-resistant and heat-resistant steel
- Smooth surfaces without burrs
- Rivets made of stainless steel
- Oil-resistant, ergonomically shaped DE-STA-CO handle grip

Model 301-SS

Model no.	Holding Capacity		Drawing Movement
	← [lbs.]		
301-SS	450	0.70	4.00

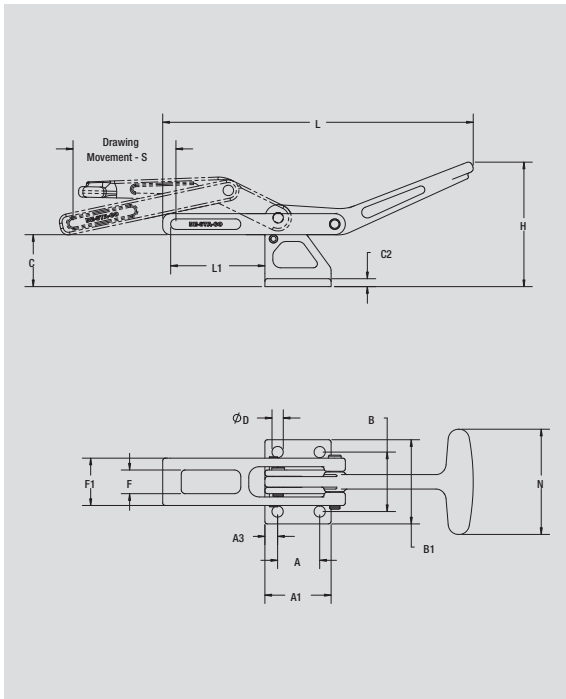


Model no.	A	A1	A3	B	B1	B3	B4	C	C2	øD	H	L	L1	S				
301-SS	0.75	1.38	0.31	1.25	1.75	0.83	1.08	1.63	0.12	0.28	1.91	8.40	2.58	4.00				

Information

DE-STA-CO clamp series 3011 is the newest addition to the rotational mold product offering. As a direct, drop-in replacement for the legacy 311 clamp, these cast, robust clamps will withstand the harsh environment of the rotational mold industry. A fixed stop automatically

limits handle travel at various clamping positions after installation, removing the need to adjust a manual stop. The clamps are available in 4130 carbon steel or 316 stainless steel. The vinyl dipped ergonomic whale-tail handle provides better operator hand comfort.



Model no.	Holding Capacity ➔ [lbs.]	 [lbs.]	Drawing Movement
3011-S	2,000	2.00	3.00




Model no.	A	A1	A3	B	B1	C	C2	øD	F	F1	H	L	L1	N	S			
3011-SS	1.25	1.97	0.38	1.78	2.52	1.87	0.24	0.33	0.71	1.42	3.72	9.23	3.04	3.15	3.00			

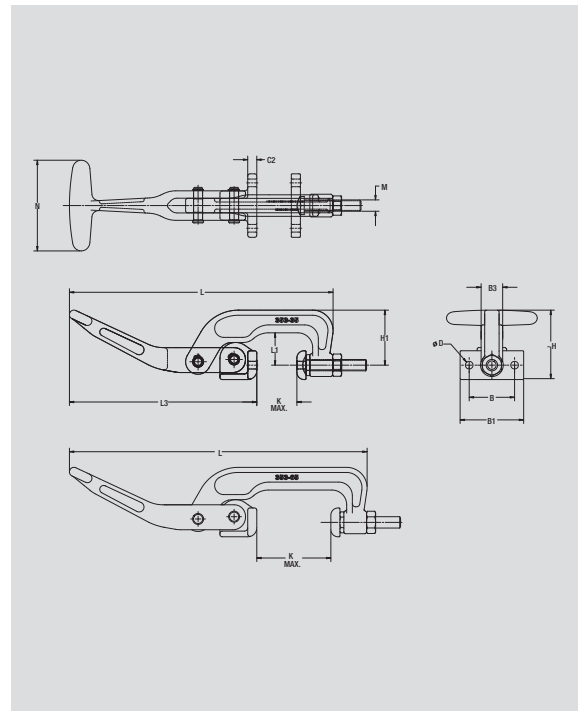
Models 359-35, 359-65

Information

These robust, heavy-duty cast clamps are designed to withstand the harshest environments of the rotational mold industry. They are ideal for clamping directly on the parting lines of CNC machined molds and are available in carbon or stainless steel. The clamps utilize two stainless steel pivot pins to help eliminate pivot point binding. The curved

radius on the mounting flange and keeper plate allows the clamp to fit snugly along the radius of the parting line. The ergonomic handle provides greater operator comfort by reducing the stress on the operator's hands. The clamps are supplied with a tapered M10x1.5 hex head bolt assembly and keeper plate.

Model no.	Holding Capacity ➔ [lbs.]	 [lbs.]	Max. Mechanical Adjustment (M.A.)
359-35	1,400	2.10	23:1
359-65	1,200	2.30	27:1



Keeper plate
(353904)



Tapered bolt assembly
(353908)

Model no.	B	B1	B3	C2	øD	~H	H1	K	L	L1	L3	M	N					
359-35	1.57	2.20	0.75	0.31	0.27	2.38	1.91	1.39	9.15	1.12	6.50	M10	3.15					
359-65	1.57	2.20	0.75	0.31	0.27	2.38	1.91	2.57	10.33	1.12	6.50	M10	3.15					